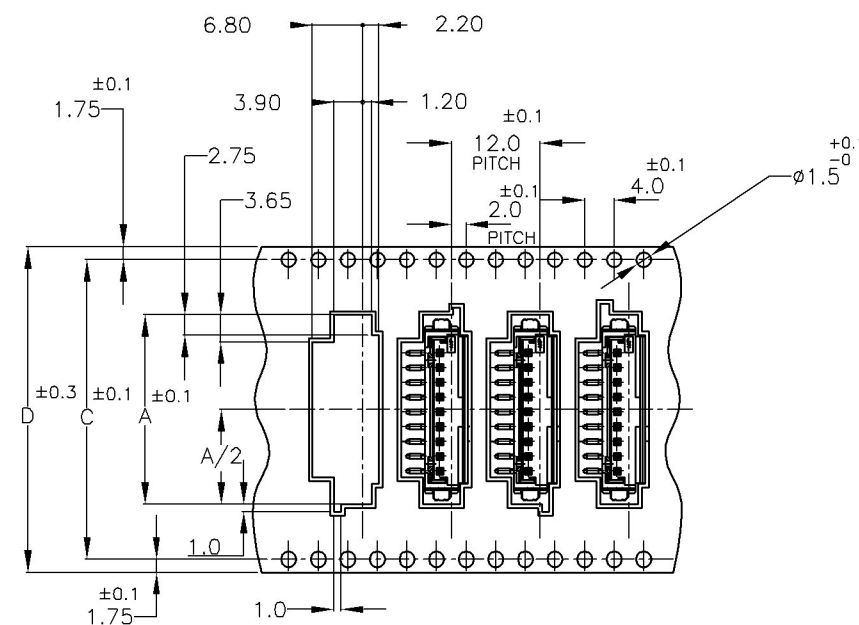
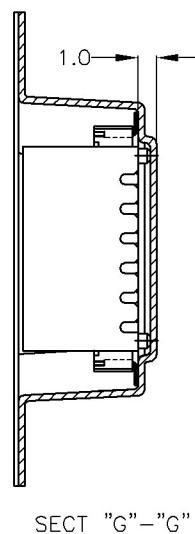
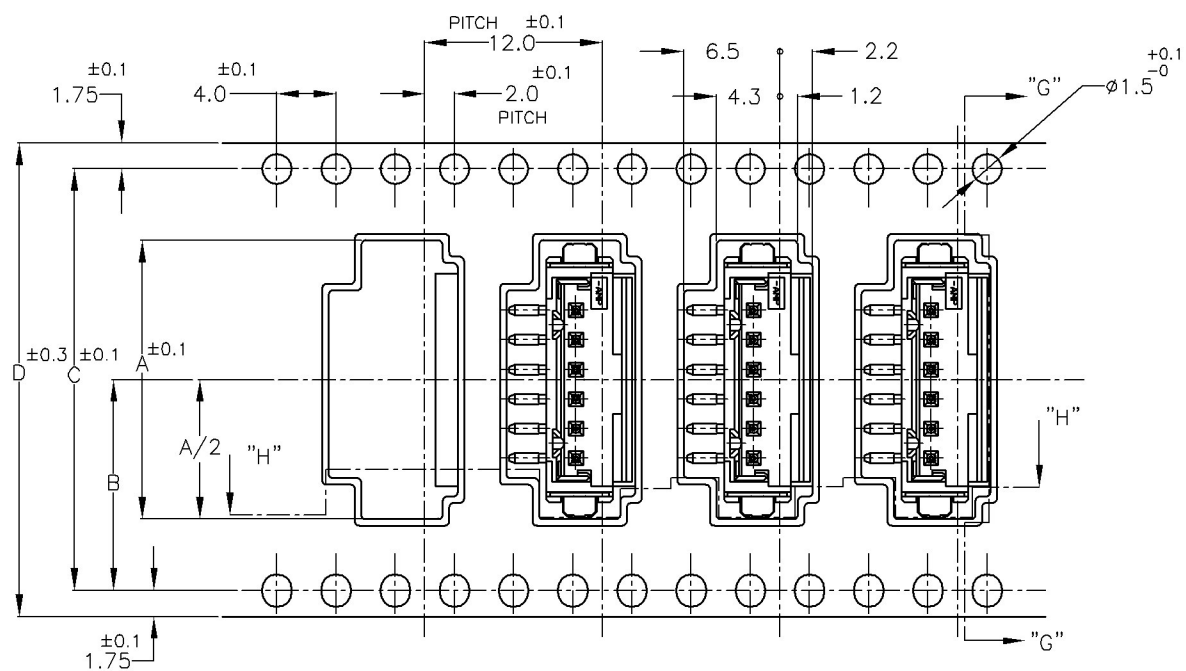


THIS DRAWING IS UNPUBLISHED. RELEASED FOR PUBLICATION
 © COPYRIGHT BY TYCO ELECTRONICS CORPORATION. ALL RIGHTS RESERVED.

LOC	DIST	REVISIONS			
P	LTR	DESCRIPTION	DATE	DWN	APVD
ES	00	B	REVISED ECR-06-012605	25MAR06	C.Z S.Y

(AS SHOWN : -6)



9P ONLY

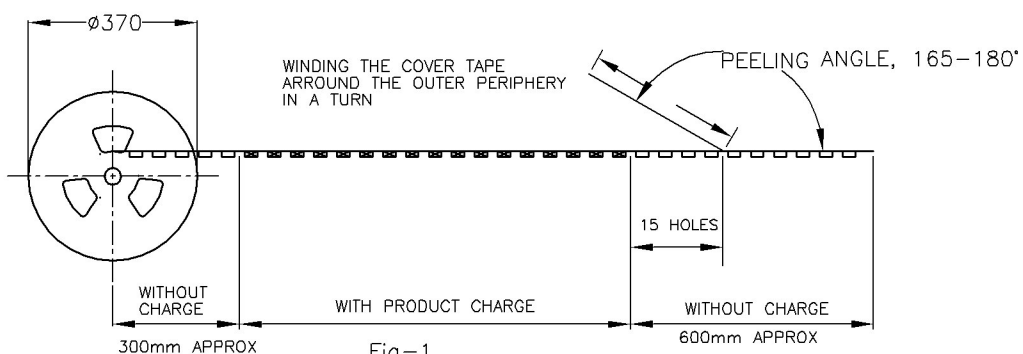
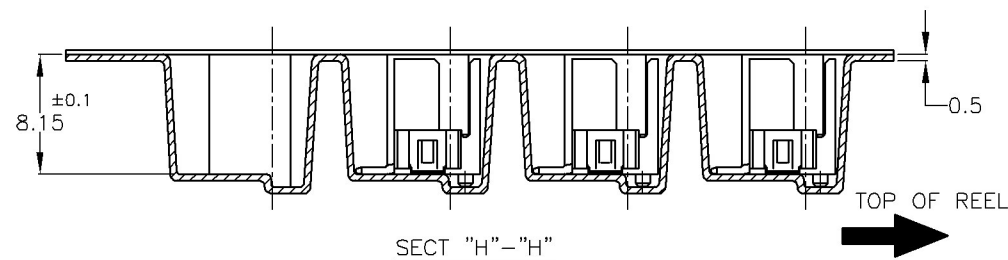


Fig-1

COLOR	PLATE	D	C	B	A	QTY/REEL	POS	TAPING P/N
BLACK		44.0	40.5	20.25	25.6	9	2-292174-9	
		44.0	40.4	20.2	22.9	8	2-	-8
		32.0	28.4	14.2	20.9	7	2-	-7
		32.0	28.4	14.2	18.9	6	2-	-6
		32.0	28.4	14.2	16.9	5	2-	-5
		32.0	28.4	14.2	14.9	4	2-	-4
NATURAL	WITH	32.0	28.4	14.2	10.9	700	2	2-292174-2
		44.0	40.5	20.25	25.6	9	292174-9	
		44.0	40.4	20.2	22.9	8		-8
		32.0	28.4	14.2	20.9	7		-7
		32.0	28.4	14.2	18.9	6		-6
		32.0	28.4	14.2	16.9	5		-5
	32.0	28.4	14.2	14.9	4		-4	
	32.0	28.4	14.2	12.9	3		-3	
WITH	32.0	28.4	14.2	10.9	700	2	292174-2	

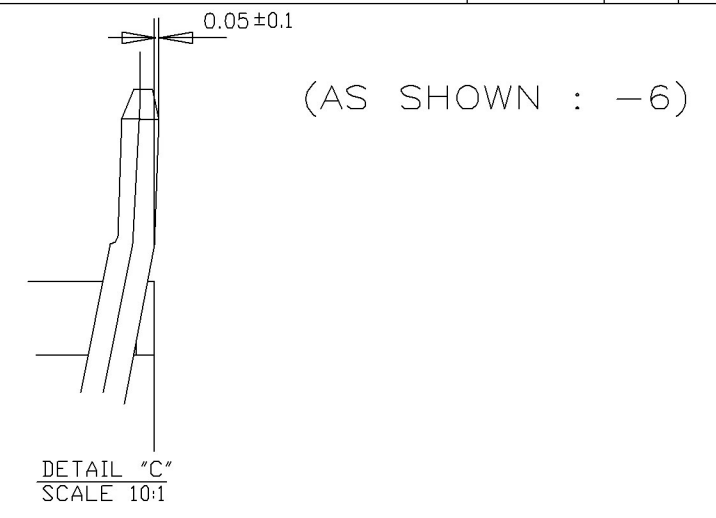
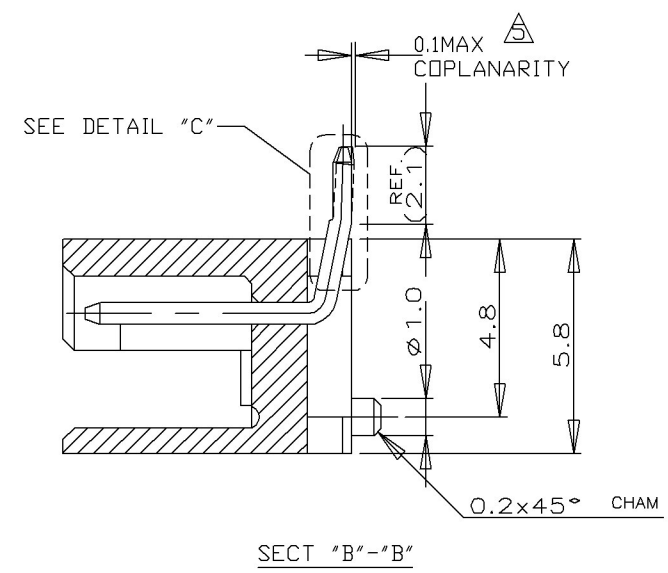
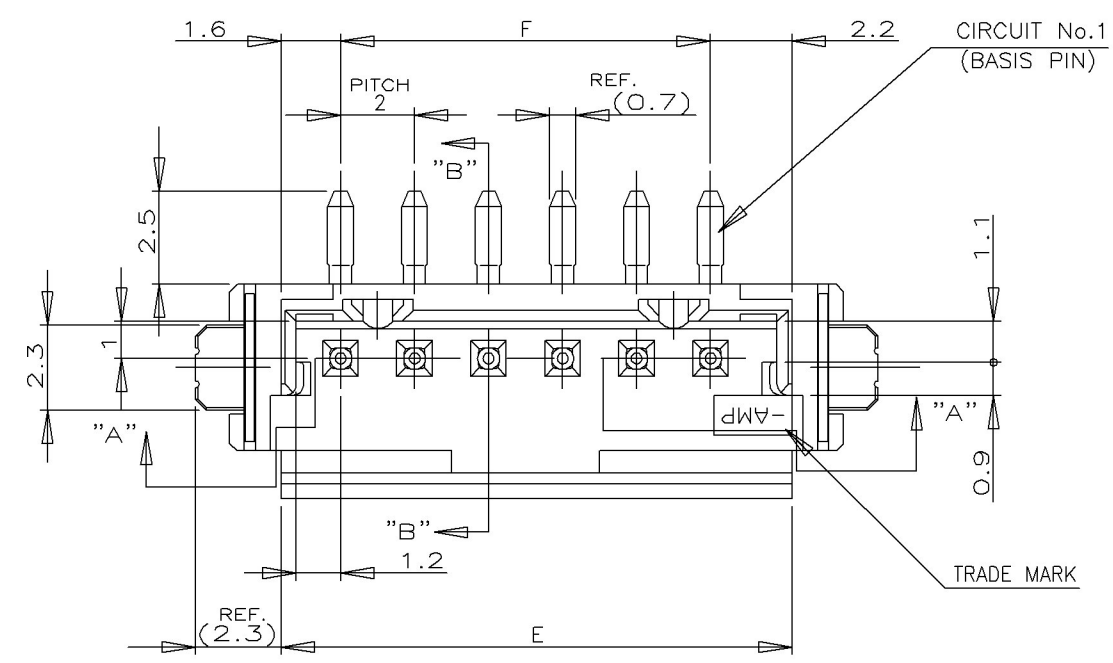
- NOTES:
 1. PEELING RESISTANCE: 0.196N(20gf)-0.686N(70gf)
 PEELING SPEED: 300mm/min

TOLERANCE UNLESS OTHERWISE SPECIFIED	
10 > *	±0.2
30 > * > 10	±0.25
100 > * > 30	±0.3
ANGLE	±3'

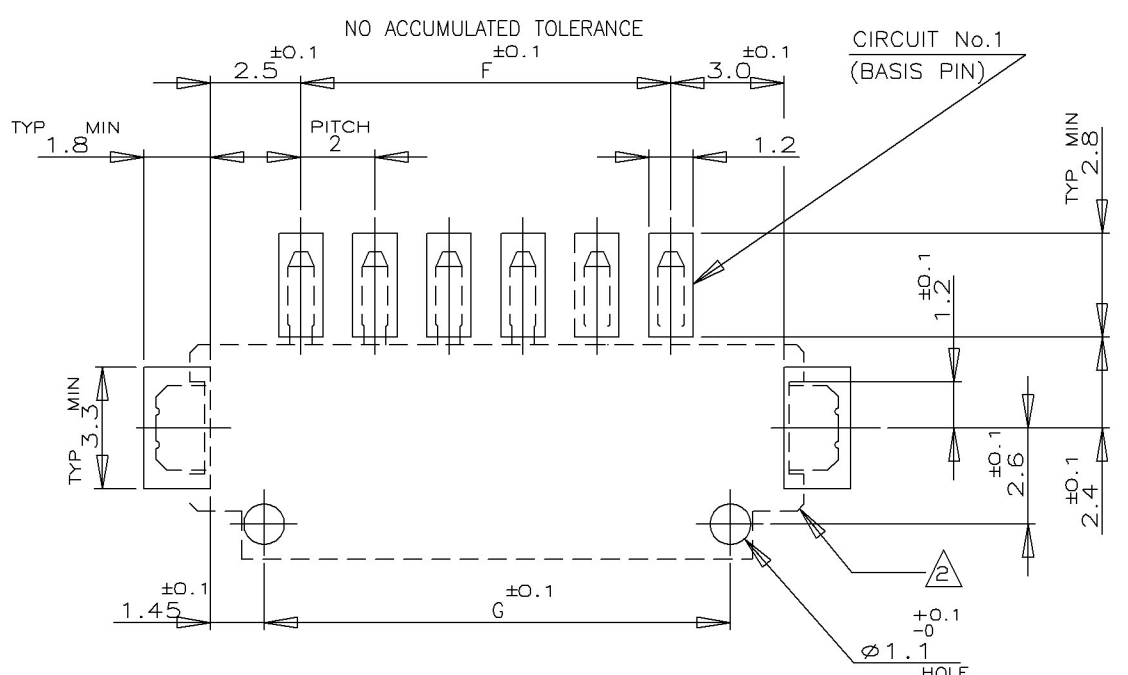
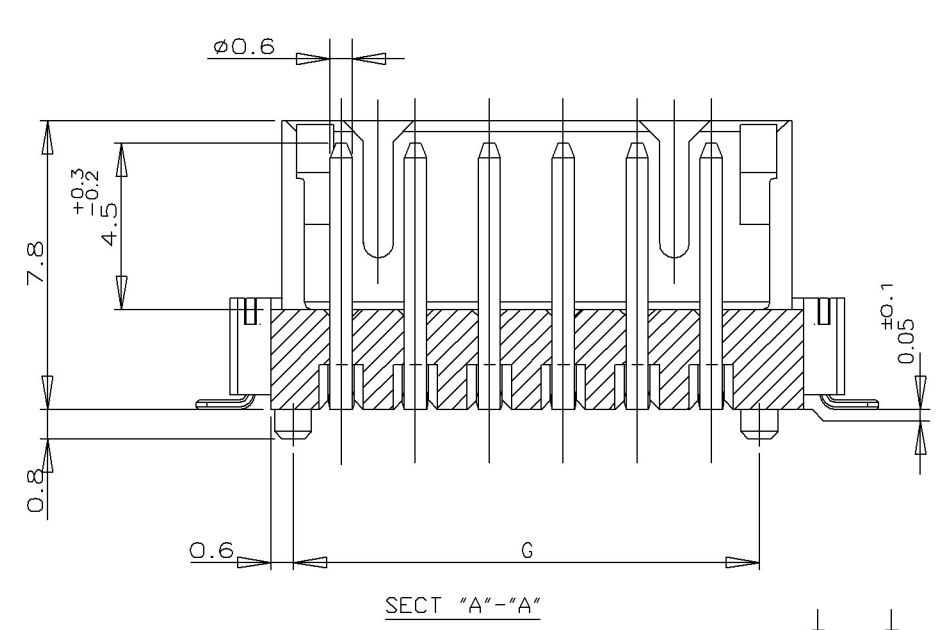
THIS DRAWING IS A CONTROLLED DOCUMENT.		DWN J.JIANG 23JAN03	 Tyco Electronics Corporation Shanghai, P.R.China,200233												
DIMENSIONS: MM		CHK S.YAO 23JAN03													
TOLERANCES UNLESS OTHERWISE SPECIFIED:		APVD T.SASAKI 23JAN03	NAME												
<table border="1"> <tr> <td>0 PLC</td> <td>±</td> </tr> <tr> <td>1 PLC</td> <td>±</td> </tr> <tr> <td>2 PLC</td> <td>±</td> </tr> <tr> <td>3 PLC</td> <td>±</td> </tr> <tr> <td>4 PLC</td> <td>±</td> </tr> <tr> <td>ANGLES</td> <td>±</td> </tr> </table>		0 PLC	±	1 PLC	±	2 PLC	±	3 PLC	±	4 PLC	±	ANGLES	±	PRODUCT SPEC	ON TAPING (EMBOSS) AMP CT CONNECTOR POST HEADER ASS'Y (BOX-V SMT W/BOSS & TAIL)
0 PLC	±														
1 PLC	±														
2 PLC	±														
3 PLC	±														
4 PLC	±														
ANGLES	±														
MATERIAL		FINISH	RESTRICTED TO												
WEIGHT		CUSTOMER DRAWING	SIZE A3												
SCALE ++		SHEET 1 OF 2	DRAWING NO C-292174												
REV B		DRAWING NO C-292174													

THIS DRAWING IS UNPUBLISHED. RELEASED FOR PUBLICATION
 © COPYRIGHT BY TYCO ELECTRONICS CORPORATION. ALL RIGHTS RESERVED.

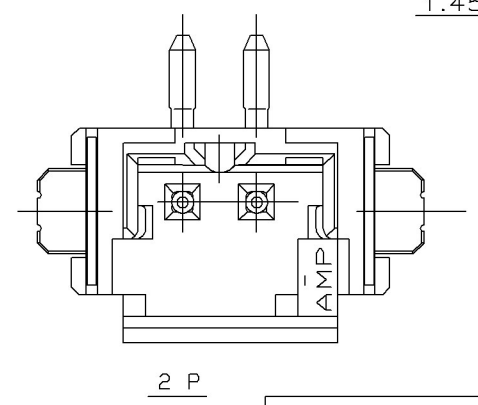
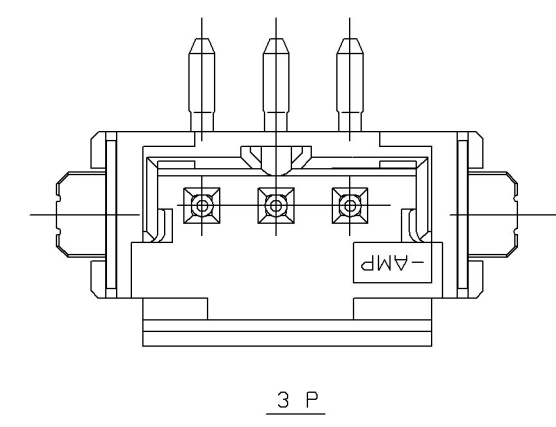
LOC	DIST	REVISIONS					
ES	00	P	LTR	DESCRIPTION	DATE	DWN	APVD
		-	-	SHEET 1/2	-	-	-



- NOTES;
- MATERIAL:HSG:6T PA(G.F.30%)(UL94V-0)
 COLOR:BLACK OR NATURAL
 POST:TIN BRASS
 TAIL:TIN BRASS
 - △ OCCUPANT AREA ON PC BOARD
 - PRODUCT SPEC :108-60016
 - △ TO BE MEASURED WITH CONNECTOR PLACED ON HORIZONTAL DATUM SURFACE,FLOAT OF SOLDER TINE AND TAIL FROM DATUM SURFACE IS 0.1mm MAX



18.6	16.0	19.8	g	2-292174-9	2921749
16.6	14.0	17.8	8	2- -8	-8
14.6	12.0	15.8	7	2- -7	-7
12.6	10.0	13.8	6	2- -6	-6
10.6	8.0	11.8	5	2- -5	-5
8.6	6.0	9.8	4	2- -4	-4
6.6	4.0	7.8	3	2- -3	-3
4.6	2.0	5.8	2	2-292174-2	292174-2
G	F	E	Pos.	BLACK	NATURAL
P/N					



TOLERANCES UNLESS OTHERWISE SPECIFIED:
 10>* : ±0.2
 30>*>10 : ±0.25
 100>*>30 : ±0.3
 ANGEL : ±3°

THIS DRAWING IS A CONTROLLED DOCUMENT.

DIMENSIONS: MM	TOLERANCES UNLESS OTHERWISE SPECIFIED:	DWN	-
0 PLC ± -	1 PLC ± -	CHK	-
1 PLC ± -	2 PLC ± -	APVD	-
2 PLC ± -	3 PLC ± -	PRODUCT SPEC	SEE NOTE
3 PLC ± -	4 PLC ± -	APPLICATION SPEC	-
4 PLC ± -	ANGLES ± -	WEIGHT	-
MATERIAL SEE NOTE	FINISH SEE NOTE	Tyco Electronics Corporation Shanghai, P.R.China,200233	
TOLERANCES UNLESS OTHERWISE SPECIFIED: 10>* : ±0.2 30>*>10 : ±0.25 100>*>30 : ±0.3 ANGEL : ±3°		NAME SMT TYPE POST HDR ASS'Y(V) WITH BOSS & WITH TAIL TYPE AMP CT CONN. 2 mm PITCH	
MATERIAL SEE NOTE FINISH SEE NOTE		SIZE	CAGE CODE
CUSTOMER DRAWING		A3	00779
DRAWING NO C-292174		DRAWING NO	RESTRICTED TO
SCALE 5:1 SHEET 2 OF 2 REV B		DRAWING NO C-292174	